

ROTARY EVAPORATOR RC 900

DATA SHEET E 400



Technical features

- Central remote control for all functions
- Fast and easy change of the flask
- Automatic lift up of the flask in case of power outage
- Operating display of heating bath

Technical data

MATERIAL FOR PARTS CONTACTING THE MEDIA

Glass parts	Borosilicate glass
Vapor tube seal	PTFE compound
Refilling valve's fitting	PP
Fitting seal	Silicone
Plugs seal	PTFE-coated

COOLANT LINE MATERIAL

Fittings on condenser	PP
Fitting seal	Silicone
Connections on tower	brass/galvanized
Internal connections	Norprene®, PA, stainless steel
Tubing	Norprene®

VACUUM LINE MATERIAL

Fitting on condenser	PP
Connections on tower	PVDF, stainless steel
Inner connections	PTFE, PVDF, stainless steel
Tubing	Norprene®

ELECTRICAL PARAMETERS

Nominal voltage [V]	100 – 127 200 – 240
Frequency [Hz]	50 – 60
Heating output [W]	1300
Max. watt consumption [W]	1500
Maximum operating current [A]	
100 – 127 V	13
200 – 240 V	6.5
Protection class	IP 20

HEATING BATH

Heating bath temperature [°C]	20 - 180
-------------------------------	----------

COOLANT SUPPLY PARAMETERS (CHILLED CONDENSER)

Permissible pressure [bar]	3
Permissible temperature [°C]	-15 to +20
Coolant-coated surface [cm ²]	1230

PARAMETERS OF EVAPORATION FLASK

Size of evaporation flask [ml]	50 – 3000
Rotational speed of evaporation flask [1/min]	25 – 250
Length of stroke [mm]	150
Lifting speed [mm/s]	38

OTHER DATA

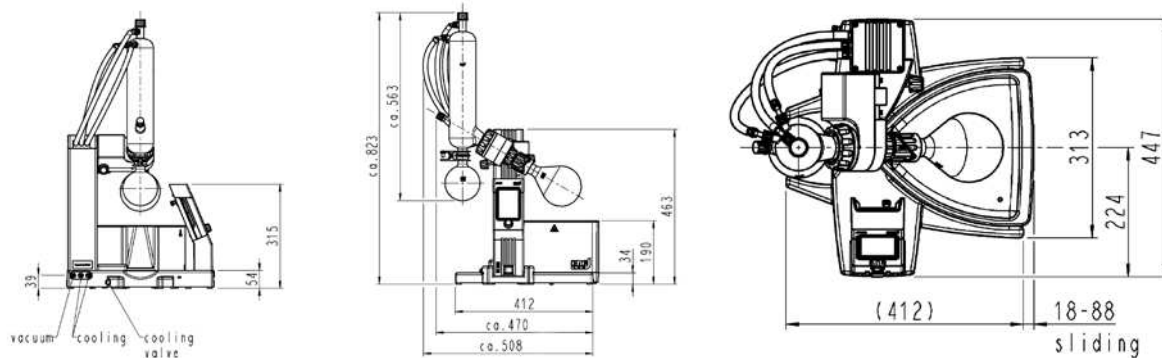
Total weight [kg]	9.1
Dimensions W x H x D [mm]:	
- without glass (footprint)	431 x 464 x 447
- with glass	487 x 823 x 447
Vacuum, coolant, and refill connections	GL14
Maximum altitude of installation [m above sea level]	2000

REMOTE CONTROL UNIT

Wireless range	approx. 50 m without obstacles
Power supply	Through integrated batteries or included power supply
Batteries	4 x AA 1.2 V 2300 mAh; quick-charge
Battery service life	Up to 12 hours
Charging time	About 7 hours

Dimensions

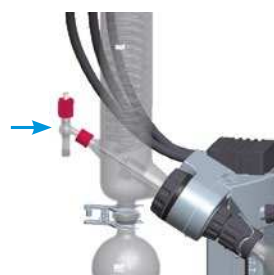
RC 900



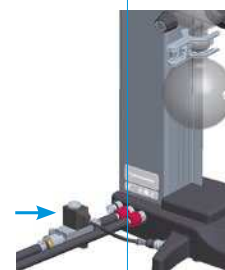
ACCESSORIES	ID
Protective cover for heating bath	127204
Refill valve	300639
Coolant valve	300853
Vacuum seal	113046
Dry ice cold finger	301696



Protective cover for heating bath



Refill valve



Coolant valve

Combination possibility

